



Project _____
 Item # _____
 Quantity _____

Accelmix™ 44 oz Electric 2-Speed Bar Blender

Model: XLB-44

The 44 oz (1.25 liters) commercial-grade blender features a high-performance self-lubricating motor with impact-resistant stainless steel blades, adding power and performance to your busy establishment.

Standard Features

- ◆ Removable container cover and cap for adding/blending ingredients mid-cycle
- ◆ All parts (except base) are dishwasher safe
- ◆ 44 oz (1.25 L), break-resistant and BPA-free Tritan™ container
- ◆ Quiet, high-performance 1/2 hp self-lubricating motor; uniquely designed high-impact blades
- ◆ HIGH/LOW toggle switch for precise consistency control
- ◆ Blade is removable for easy cleaning
- ◆ Non-skid feet securely grip the surface for stable operation

- ◆ ETL listed for electrical safety and sanitation in US and Canada, conforms to UL-197 and CSA C22.2

- ◆ One year parts and labor warranty



XLB-44



Parts & Accessories

ITEM	DESCRIPTION
XLB44-P1	Filler Cap
XLB44-P2	Container Lid
XLB44-P3	44 oz (1.25 L) Pitcher
XLB44-P4	Gasket
XLB44-P5	Blade Assembly
XLB44-P6	Collar
XLB44-P7	Clutch

Winco®, DWL International Trading, LLC

www.wincous.com
 equipsales@wincous.com

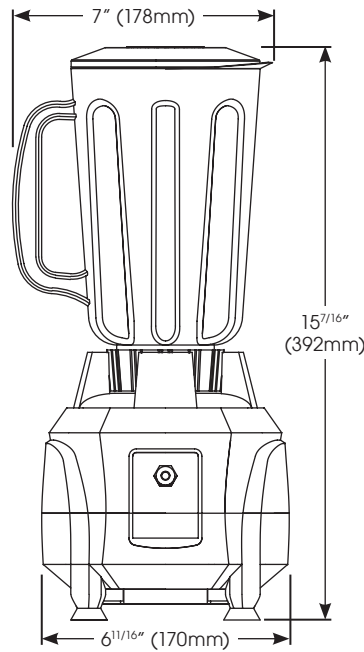
East Coast: 65 Industrial Road, Lodi, NJ 07644
 Tel. 1.888.946.2682 | Fax: 1.888.946.2632

West Coast: 14950-14952 Valley View Avenue, La Mirada, CA 90638
 Tel. 1.888.946.2652 | Fax: 1.562.926.5678

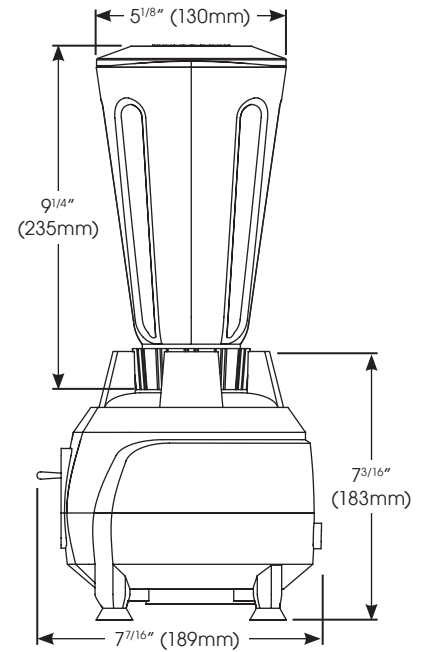


Accelmix™ 44 oz Electric 2-Speed Bar Blender

Model: XLB-44



FRONT VIEW



SIDE VIEW

Specifications

MODEL	DESCRIPTION	OVERALL DIMENSIONS			VOLTS	HZ	WATTS	AMPS	PLUG	SHIP WEIGHT
		WIDTH	DEPTH	HEIGHT						
XLB-44	44 oz (1.25 L) Accelmix™ 2-Speed Blender	7" (178mm)	7-7/16" (189mm)	15-7/16" (392mm)	120	60	400	3.5	NEMA 5-15P	5.51 lbs (2.5 kgs)
		CONTAINER DIMENSIONS								
		7" (178mm)	5-1/8" (130mm)	9-1/4" (235mm)						

Container Capacity

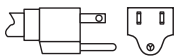
44 oz (1.25 liters)

Cord Location

Back of base, opposite ON/OFF switch

Plug Configuration

NEMA 5-15P



Product Specs

Accelmix™ 44 oz Electric 2-Speed Bar Blender

The ACCELMIX™ 44 oz (1.25 L) Electric 2-Speed Bar Blender model XLB-44, manufactured by Winco®, Lodi, NJ 07644.

The Electric Bar Blender shall be rated at 120V-60Hz, 400 watts. It shall consist of one (1) 44 oz break-resistant, BPA-free Tritan™ container with removable cover and cap, HIGH/LOW toggle switch for precise consistency control.

High-performance 1/2 hp self-lubricating and quiet motor, unique high-impact blades.

ETL listed for electrical safety and sanitation in US and Canada, conforms to UL-197 and CSA C22.2.

Warranty consists of one year parts and labor.

Winco®, DWL International Trading, LLC

www.wincous.com
equipsales@wincous.com

East Coast: 65 Industrial Road, Lodi, NJ 07644
Tel. 1.888.946.2682 | Fax: 1.888.946.2632

West Coast: 14950-14952 Valley View Avenue, La Mirada, CA 90638
Tel. 1.888.946.2652 | Fax: 1.562.926.5678