



ATOSA CATERING EQUIPMENT INC.

“WE MAKE THE KITCHEN BETTER!”

Toll Free: 855-855-0399 Email: info@atosausa.com
www.atosa.com | www.atosausa.com
 California, Colorado, Florida, Georgia, Illinois,
 New Jersey, Ohio, Texas, Washington

Stainless Steel Over Shelf

Standard Features:

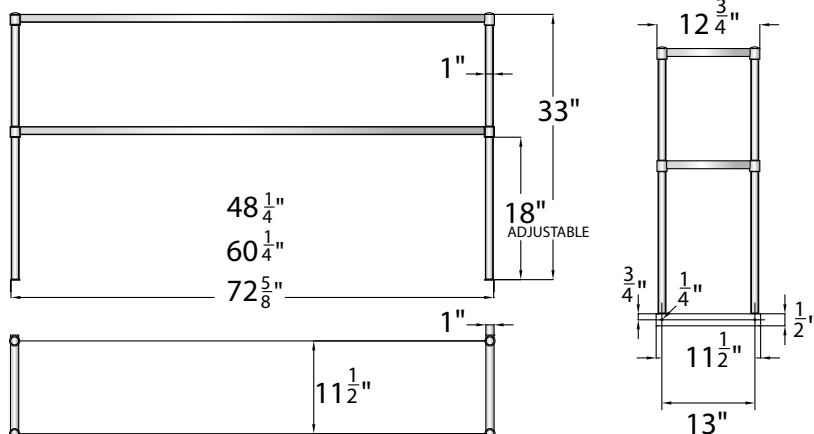
- 18 Gauge stainless steel double shelf
- Under shelf can be adjusted to desired height
- Over shelves can fit the following model numbers:
MROS-4RE: MGF8406GR, MGF8402GR, SSTW-2448 and SSTW-3048
MROS-5RE: MGF8403GR, MGF8407GR SSTW-2460 and SSTW-3060
MROS-6RE: MGF8404GR, SSTW-2472 and SSTW-3072
- Atosa 48", 60" and 72" sandwich prep refrigerator
- Top and bottom shelves are sound deadened
- Stainless steel support pipe
- Easy to assemble
- NSF approval



SPECIFICATIONS

Model	Dimensions(inch) (WxDxH)	Material	Packaging Dimensions(inch)	Net Weight (lbs)	Gross Weight (lbs)
MROS-4RE	48 ¹ / ₄ x 12 ⁸ / ₁₀ x 33	S/S 18GA	13 ¹ / ₂ x 49 x 3 ³ / ₄	12	26
MROS-5RE	60 ¹ / ₄ x 12 ⁸ / ₁₀ x 33		13 ¹ / ₂ x 61 x 3 ³ / ₄	14	31
MROS-6RE	72 ⁵ / ₈ x 12 ⁸ / ₁₀ x 33		13 ¹ / ₂ x 73 ³ / ₈ x 3 ³ / ₄	17	36

PLAN VIEW



**OVERSHELF
ON UNIT**

