



**"WE MAKE THE KITCHEN BETTER!"**

Toll Free: 855-855-0399 Email: [info@atosausa.com](mailto:info@atosausa.com)

[www.atosa.com](http://www.atosa.com) | [www.atosausa.com](http://www.atosausa.com)

California, Colorado, Florida, Georgia, Illinois, Massachusetts, New Jersey, Ohio, Texas, Washington

# Stainless Steel Over Shelf

## MODELS:

MROS-44 / MROS-67 / MROS-93

### Standard Features

- 18 Gage Stainless steel double shelf
- Overshelf assembly can be adjusted to 3 different heights
- Three size over shelves can fit Atosa 44", 67" and 93" Pizza prep tables
- Top and bottom shelves are sound deadened
- Stainless steel support pipe
- Easy to assemble
- NSF approval



## OVERSHELF ON UNIT





**“WE MAKE THE KITCHEN BETTER!”**

Toll Free: 855-855-0399 Email: [info@atosausa.com](mailto:info@atosausa.com)

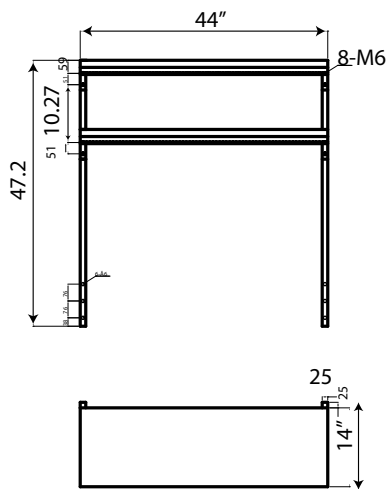
[www.atosa.com](http://www.atosa.com) | [www.atosausa.com](http://www.atosausa.com)

California, Colorado, Florida, Georgia, Illinois, Massachusetts, New Jersey, Ohio, Texas, Washington

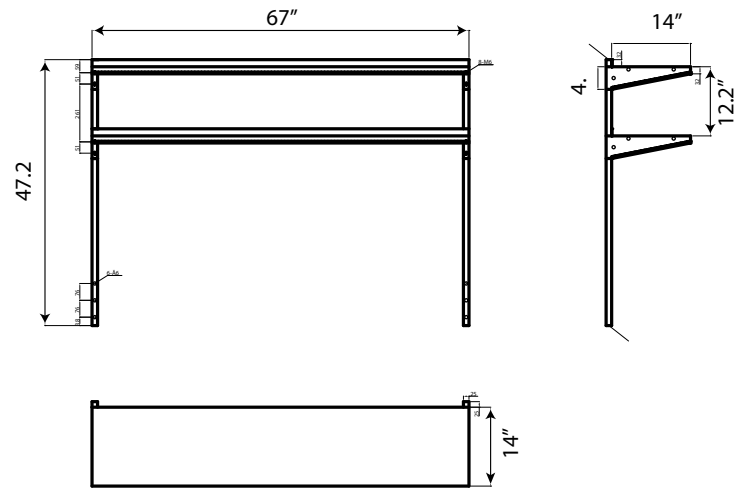
## SPECIFICATIONS

Model	Size (WxDxH)	Material	Packing Size (WxDxH)	Net Weight	Gross Weight
MROS-44P	44"x 14"x 47 <sup>1/5</sup> "	SUS430 Gauge 18	48 <sup>1/2</sup> x 16 <sup>1/2</sup> x 7 <sup>1/8</sup>	26.5 lbs	29 lbs
MROS-67P	67"x 14"x 47 <sup>1/5</sup> "		68 <sup>1/4</sup> x 16 <sup>1/2</sup> x 7 <sup>1/8</sup>	36.5 lbs	40 lbs
MROS-93P	92 <sup>9/10</sup> " x 14"x 47 <sup>1/5</sup> "		94 <sup>1/4</sup> x 16 <sup>1/2</sup> x 7 <sup>1/8</sup>	51 lbs	55 lbs

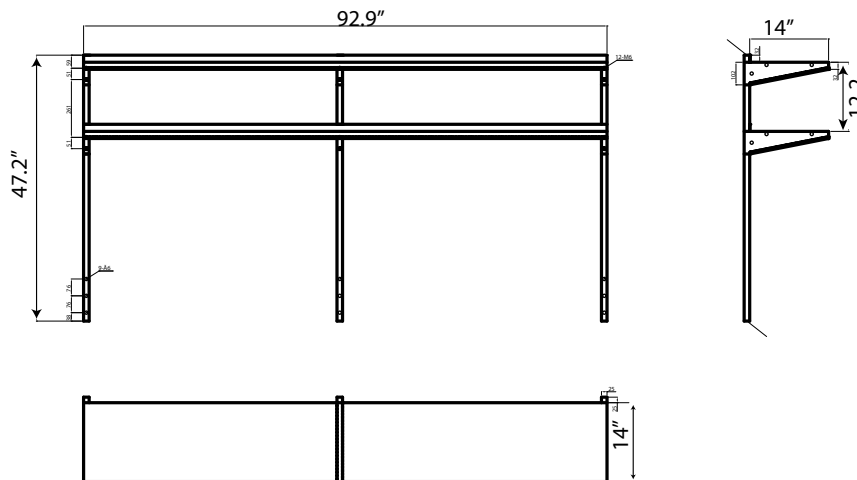
## PLAN VIEW



MROS-44P



MROS-67P



MROS-93P