

Project \_\_\_\_\_

Item Number \_\_\_\_\_

Quantity \_\_\_\_\_

MG22

Duty Level



**Meat and Food Grinder with #22 Hub**

**MADE IN THE USA**

**Model:**

➤ MG22: 1hp meat and food grinder



Meat and Food Grinder

**Features:**

- Heavy duty meat and food grinder
- Grinds 25lbs. per minute on first grind with a 3/16" (0.5cm) plate
- 1 hp motor
- Grinding worm is directly coupled to the gear motor output shaft
- Designed for high volume, heavy duty use
- Great for restaurants and butcher shops
- Comes ready to grind with a 3/16" (0.5cm) grind plate, #22 X-knife, aluminum feed pan, aluminum stomper, meat storage container, and cleaning brush
- Housing and faceplate in stainless steel

**Standard Accessories:**

- 17"x25" (43.2cm x 63.5cm) feed pan
- Aluminum stomper
- Plastic storage container: 18.5"x13.5" (47cm x 34.3cm)
- #22 3/16" (0.5cm) grind plate
- #22 X-knife

**Optional Accessories:**

- 1/8" (0.3cm) grind plate
- 3/16" (0.5cm) grind plate
- 1/4" (0.6cm) grind plate
- 3/8" (1cm) grind plate
- 1/2" (1.3cm) grind plate
- X-knife
- 1/2" (1.3cm) stuffing tube
- 3/4" (1.9cm) stuffing tube
- Small plastic cover
- S-5B stand

Univex Corporation

**Warranty:**

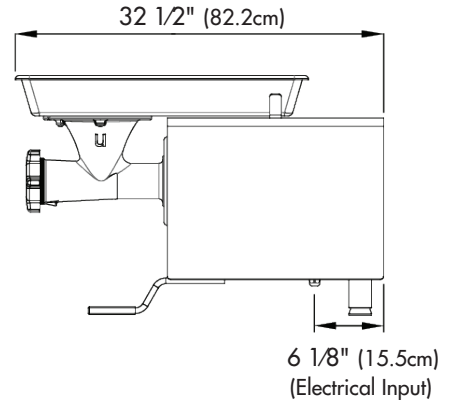
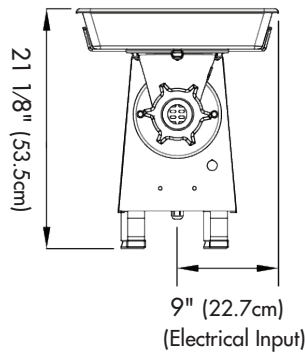
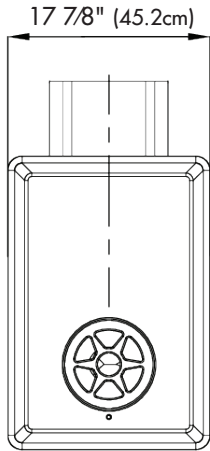
- One year, on-site parts and labor



WE RAISE THE BAR. WE SET THE STANDARD.

# Meat and Food Grinder

# MG22



**Motor:** 1 hp grease packed gear motor provides compact, smooth, and quiet performance with an 8:1 reduction within the gear motor resulting in a 224RPM drive shaft output. Worm is coupled directly with the gear output shaft.

**Drive Assembly:** Completely enclosed in an acrylic urethane silver enamel finished ten gauge steel housing and a number four finished 20 gauge stainless steel cover.

**Switch:** Momentary contact start/stop push button. Contactor provides no voltage release protection preventing accidental start-up in the event of power interruption. Micro-switch interlock prevents operation of the chopper if not properly mounted.

**Meat Grinder:** With aluminum housing, worm and ring, mounted onto the power base by two threaded studs and secured with two knobs. The housing has internal flutes that match those on the worm forcing the product to shear and be forced through the knife and plate. Accepts industry standard #22 plates and knives.

**Feed Stomper:** Aluminum stomper designed for ease of use and safety.

**Feed Pan Capacity:** 23.5 quarts (22.2 liters). 17"x25" (43.2cm x 63.5cm)

NEMA #: 5-15-P

Electrical Information (60Hz)				
	Voltage	Phase	hp(kW)	Amps
Standard Voltage	115	1	1 (0.75)	10.0-8.4
Optional Voltage	220	1	1 (0.75)	5.0-4.2

Shipping Information			
Net Weight	Shipping Weight	Overall Dimensions	Freight Class
135 lbs. (61.2Kg)	167 lbs. (75.7Kg)	27" (68.6cm) H x 36" (91.4cm) W x 23" (58.4cm) D	85



**Univex Corporation**  
[www.Univexcorp.com](http://www.Univexcorp.com)

3 Old Rockingham Rd  
Salem, NH 03079  
United States of America

TEL: (800)258-6358  
INTL TEL: (603)893-6191  
FAX: (800)356-5614  
INTL FAX: (603)893-1249