

CAUTION:

Electrical and Plumbing connections must be made by a qualified Service Person who will assure that the installation is in compliance with all available federal, state, and local Health, Electrical, Plumbing, and Safety Codes.

NOTE:

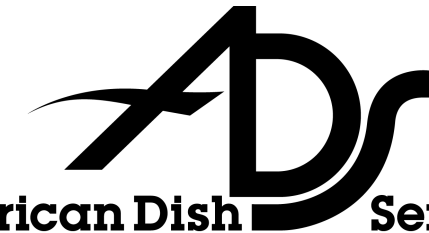
All dimensions listed have a tolerance of + or - 1/8" unless otherwise noted.

NOTE:

Manufacturer reserves the right to modify these specifications in compliance with regulatory agencies and manufacturing expediency.

CONNECT TO ELECTRICAL SUPPLY SOURCE

USING 14-12 AWG COPPER WIRE
CIRCUIT PROTECTION: 15 AMP CIRCUIT BREAKER
OR FUSE WITH A 15 AMP RATING



American Dish Service

Manufacturers of Ware Washing Equipment

Model ASQ II Specifications

Model ASQ II

RATED CAPACITY (LOADS PER HOUR)	34
WASH TIME (SECONDS)	45
RINSE TIME (SECONDS)	14
DWELL (SECONDS)	16
TOTAL CYCLE TIME (SECONDS)	75

43.2 GAL/Hr

WATER TEMPERATURE	120 ° F
	49 ° C

WATER CONSUMPTION	1.27 GAL PER CYCLE
	4.8 LITERS PER CYCLE

MOTORS (WASH)	1/3 HP, 3450 RPM
	.246 KW

(DRAIN)	1/6 HP, 3450 RPM
	.124 KW

HEATER	350 W
	.350 KW

ELECTRICAL RATINGS	115 VOLTS SINGLE PHASE
	7.5 AMP 60 Hz

WATER INLET	1/2" FPT
	1.3 CM

DRAIN	1 1/2" O.D.
	3.8 CM

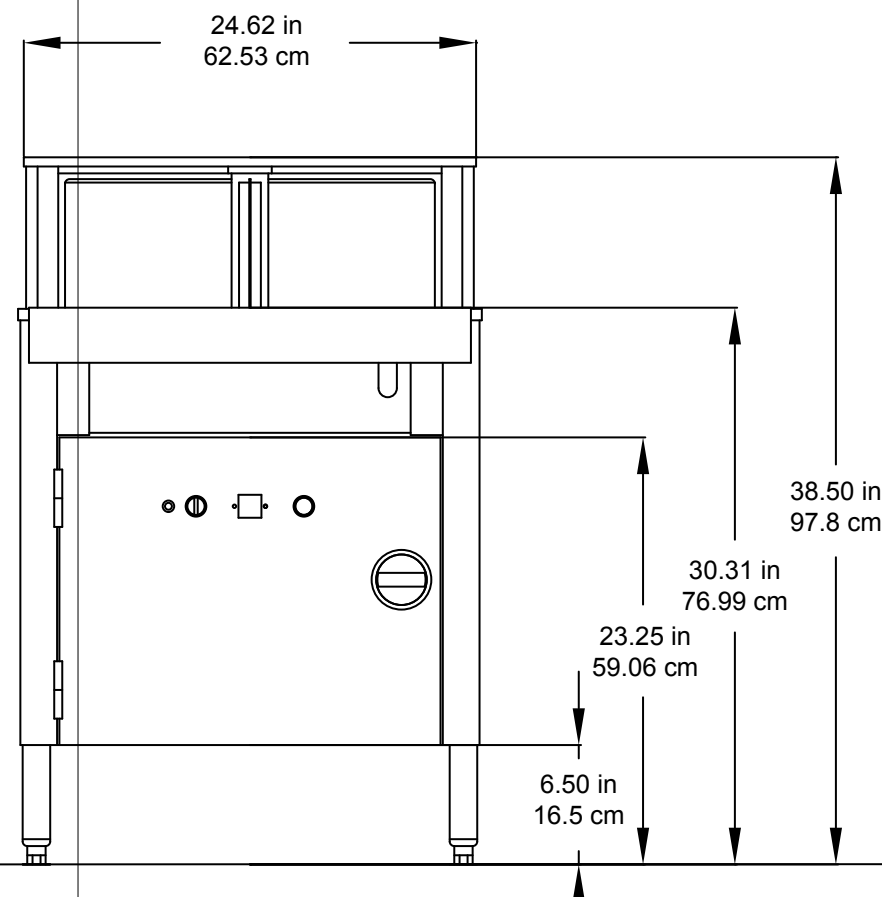
HEIGHT (OVERALL)	38 1/2"
	97.5 CM

WIDTH (OVERALL)	25 1/4"
	64.1 CM

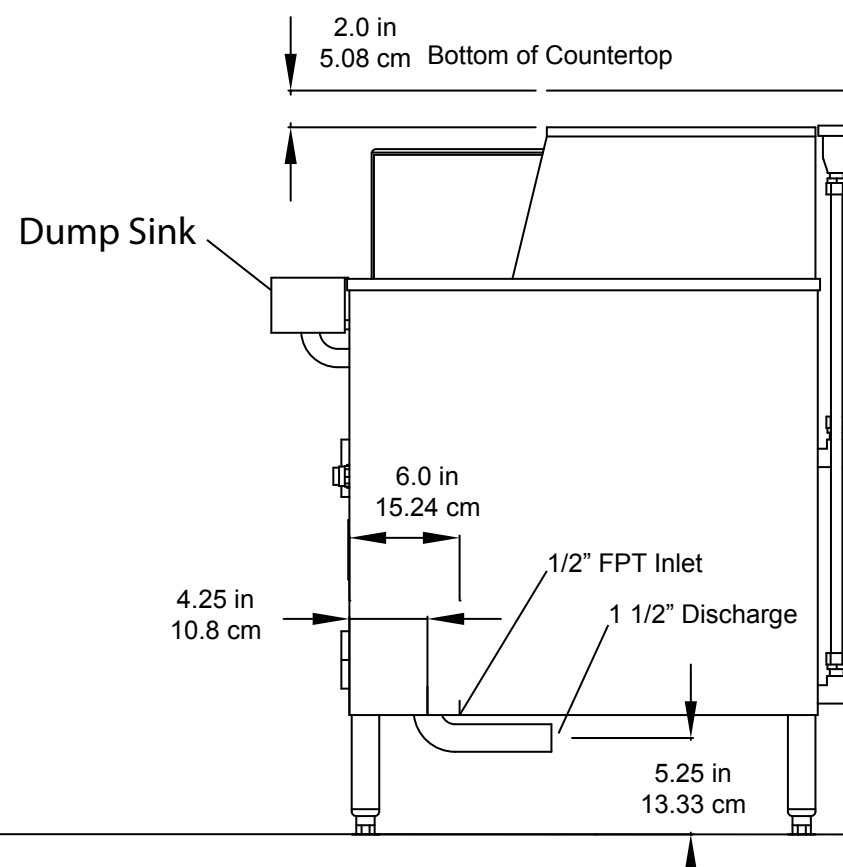
DEPTH (OVERALL)	29.8"
	75.7 CM

SHIPPING WEIGHT	288 POUNDS
	130.6 Kg

SHIPPING DIMENSIONS	36" L x 36" W x 46" H
	91.4 cm x 91.4 cm x 116.8 cm



FRONT VIEW



SIDE VIEW

EFFECTIVE: 01/2018

© 01/2018